

Case & Crate 2.0 Bin

Bin Short (CC2-BIN) Installation Instructions

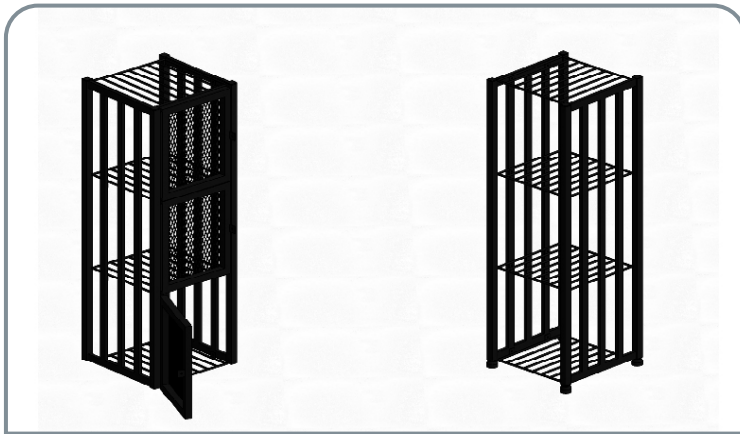


The Bin is the base unit for all configurations of the current Case & Crate line including Bin Tall, and Locker Short and Tall kits.

Video guides, spec sheets, and additional support are available at vintageview.com/installation.

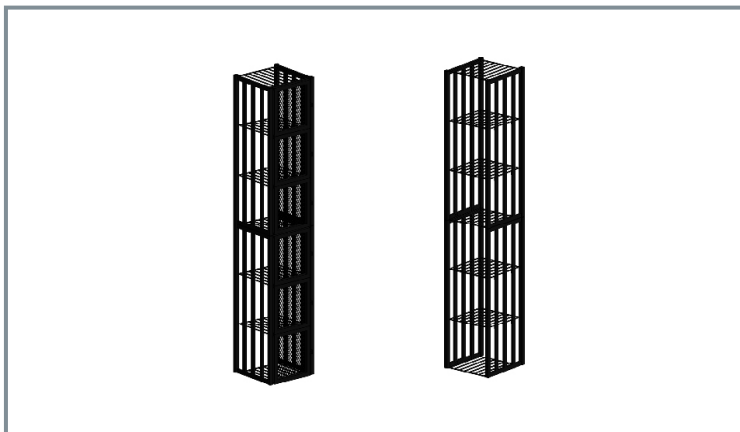
Parts List

- (2) Bin Side Walls (1 in Extension kits)
- (4) Levelers
- (1) Wall anchor bracket
- (4) Bin Shelves
- (2) Couplers (for vertical extension)
- (1) Toggle bolt
- (16) 5mmx25mm Bolts and Nuts



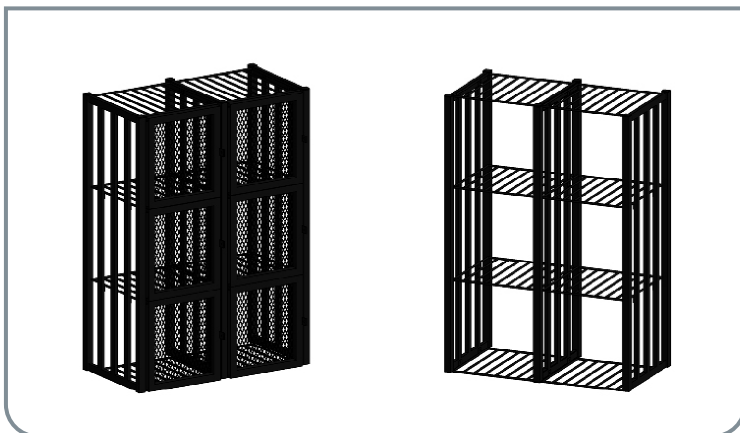
Bin/Locker Short (Figure A)

(all parts included in this box for Bin; Locker Doors (CC2-LOCKER) required for Locker configuration)



Bin/Locker Tall (Figure B)

(additional Bin needed (CC2-BIN); Locker Doors (CC2-LOCKER) required for Locker configuration)



Bin/Locker Extended Units (Figure C)

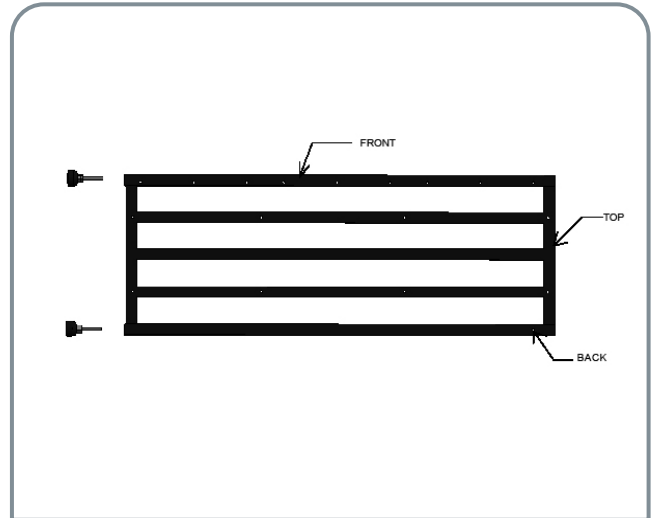
(Bin Extension kits (CC2-EXT-BIN) required for modular, horizontal growth)



Step 1: Prep the Pieces

Begin by orienting the Bin Side Wall. The front features 9 pilot holes and the back features one. The top of the unit will have plastic end caps installed.

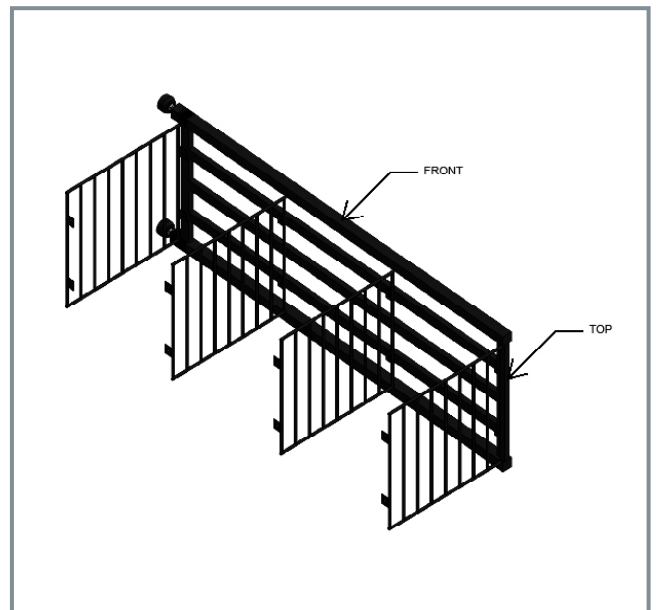
Insert the supplied levelers on the bottom of each unit that will be used as a base.



Step 2: Connect the Shelves

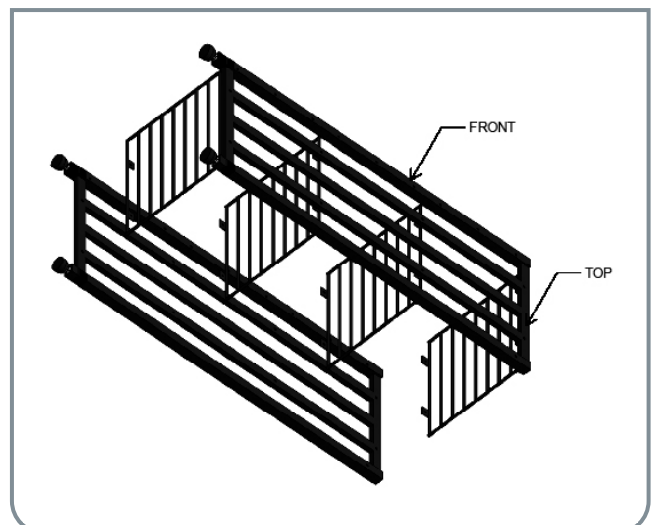
Lay the first Bin Side Wall on the ground on its narrow edge (at a 90-degree angle from the floor). Starting from the top end, connect the first shelf using the supplied metal bolts inserted into the pre-drilled holes. Ensure the tabs of the shelf are facing down and the shelf is flush with the top of the support. Repeat this step for the middle shelves.

When installing the bottom shelf, ensure its tabs are facing up (the opposite of the other three shelves).



Step 3: Attach the Second Side Wall

Align the top of the second Side Wall with the top shelf and connect using the provided bolts. Repeat for all others.





Step 3b: Prep for Extension Unit

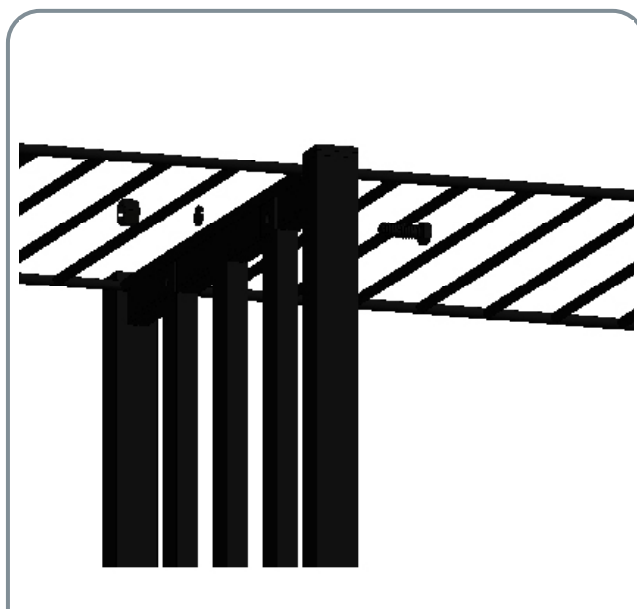
When attaching the shelves into the second Side Wall, do not thread the nut. Move to the Extend to the Side instructions when all four shelves are connected.

Step 4: Finish

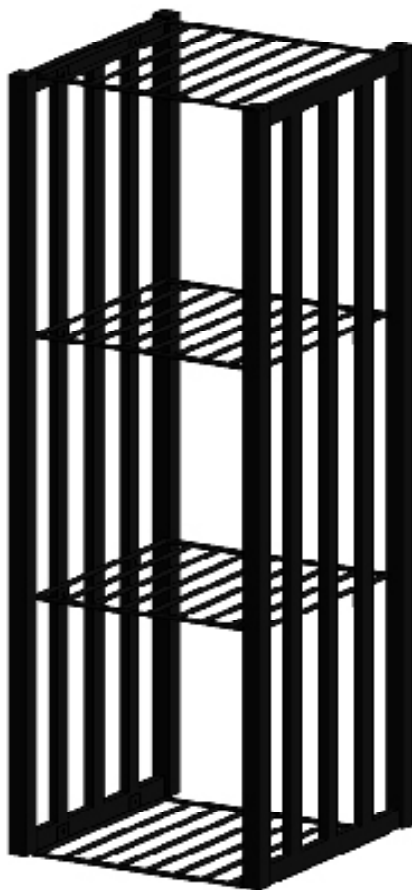
Stand the unit upright and add your favorite 16 bottles into each bin (fits up to magnum sized bottles).

For maximum stability, attach Bin configurations to the wall using the included Wall Anchor Bracket. Align the slot in the wall bracket with the pilot hole in the 1" x 1" steel support. Holding the bracket in place, move the assembled unit and mark the hole location for the wall anchor.

Pre-drill a hole (1/2" for provided drywall anchor).



Then, attach the bracket to the wall using the provided toggle bolt then attach the built unit to the bracket. Repeat for all Bin units.





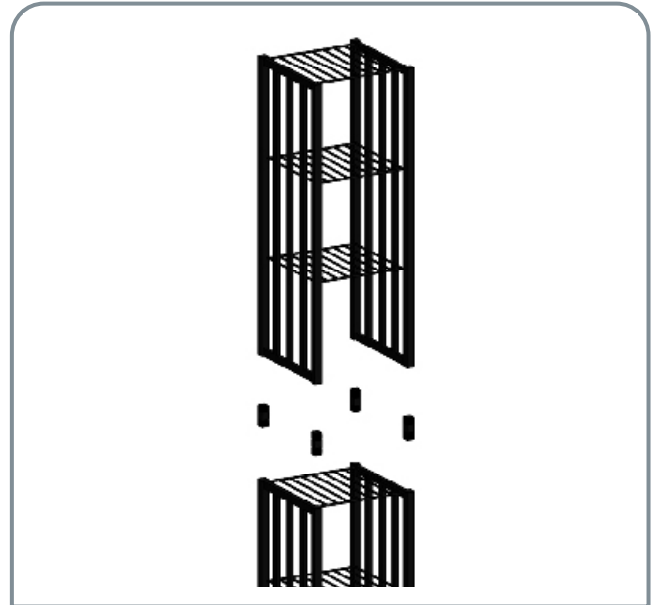
Make it Tall

Each base unit can support one additional unit on top. Here's how:

Build the top unit following Steps 2 - 3. Confirm that the base Bin unit has the supplied Levelers attached to the bottom and the End Caps removed from the top.

With the base Bin unit standing upright, insert supplied Couplers to the top of the unit. Slide the top Bin onto the Couplers installed in the bottom unit.

For installations including Extension Kits, install the first top Bin with the shelf nuts not secured (Step 3b), then connect the extension shelves, followed by the Extension Kit Side Wall. Repeat as many times as necessary.



Make it Wide

Extend to the Side

The Case & Crate Bins and Lockers are designed to modularly extend left or right, sharing the Side Wall.

1. Stand the Bin/Locker Short or Tall upright.
2. Starting from the top, install all shelves in the same manner as Step 2
3. Attach the Side wall on the outside in the same manner as Sept 3a
4. Repeat for as many Extension units necessary.

Accessorize

Make it a Locker

Installation instructions are included in all Locker Door (CC2-LOCKER) packages. If you don't have the Locker Doors already, find them at vintageview.com/installation.

Add an X-Bin

Installation instructions are included in all X-Bin (CC-XRACK) packages. If you don't have an X-Bin already, find them at vintageview.com/installation.

Add a backing

Installation instructions are included in all backing (CC-BACK) packages. If you don't have a backing already, find them at vintageview.com/installation.

