

Vino Pins with Collars (for Drywall Surfaces)

Installation instructions for Vino Pins (SKUs: VPC-)



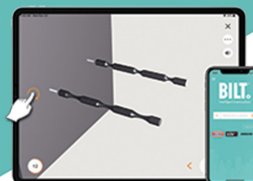
3D INTERACTIVE INSTRUCTIONS

USE BILT TO ASSEMBLE WITH CONFIDENCE

For fast 3D step-by-step instructions, download the free BILT app!



Available on most iOS and Android Devices



BILT.
Intelligent Instructions

Included Parts

- (1) Vino Pins Neck
- (1) Vino Pins Base
- (2) Vino Series Drywall Collars
- (2) Toggle Bolts
- (2) Wood Lags
- (1) Hex Key

- (2) Nuts
- (1) 8.5" x 11" Plotting Guide

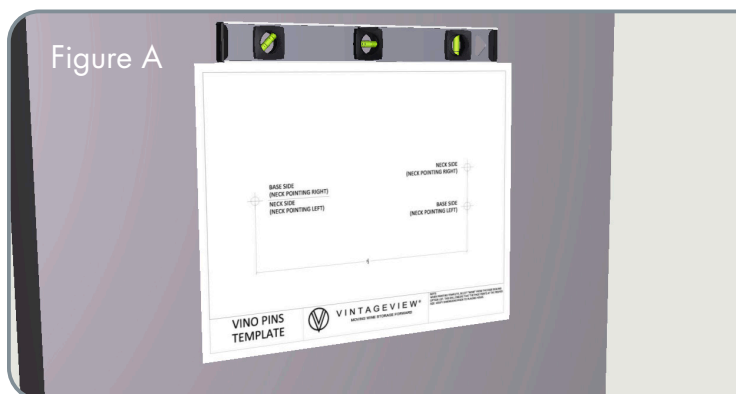
Optional Parts

- Vino Pins Neck Extension
- Vino Pins Base Extension
- (2) Vino Pins Magnum Spacers

Required Tools

- (1) Level
- (1) Drill
- (1) 5/32" (4mm) Drill Bit
- (1) 5/8" (16mm) Spade Bit
- (2) 10mm or adjustable wrenches
- (1) M6 Driver (optional)

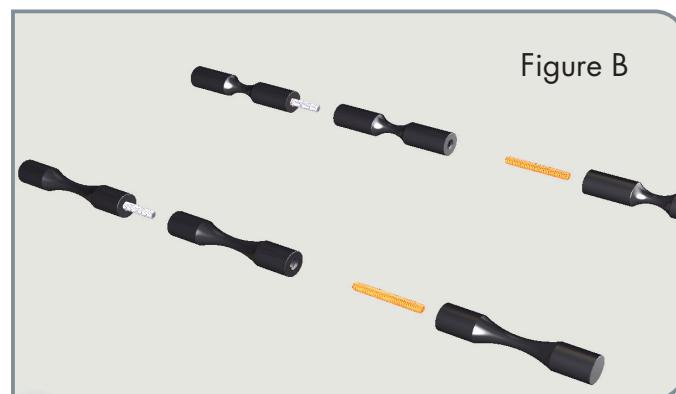
Important Note: These installation instructions are only for attaching Vino Pins to 750ml, Champagne, and Magnum wine bottles to drywall or wood surfaces with a minimum thickness of 1/2" (12.7mm).



1. MARK MOUNTING HOLE LOCATIONS

Use a level to ensure the printed mounting template is horizontal along the long edge (Figure A), mark hole locations by piercing the template with a pencil or sharp object at the center the two (2) marks corresponding with the bottle direction chosen. Mounting holes will be offset by 5/8" (16mm) and 7-1/2" (191mm) apart for 750ml bottles and 8-1/2" (216mm) 1.5L bottles.

Pro Tip: To plot additional Vino Pins in the same column, mark a minimum of 5" (127mm) above or below each mounting hole for next set of Vino Pins.

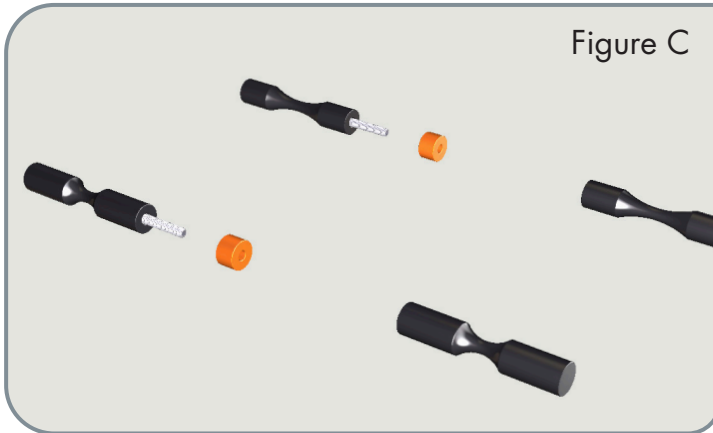


2. (OPTIONAL) EXTEND VINO PINS

If using Vino Pins extensions (sold separately), thread a stud into one end of the base extension Pin and screw the starter base Pin onto the remaining exposed end and firmly hand tighten (Figure B).

Connect any additional extensions (up to three total bottles deep for 750ml bottles) in a similar fashion and repeat this process for the neck pins.

**Pins can extend to two bottles deep for Magnum



or Champagne bottles and require one (1) Magnum Spacer to be inserted between each Starter and Extension Pin (Figure C).**

3. CONFIRM WALL SURFACE

Drill two (2) pilot holes using a 5/32" (4mm) Drill Bit (Figure D) to determine whether your installation will be into solid wood or drywall surface.

If one or both of the locations is backed by a wood stud, flip to last page for Steps w4-w5.

NOTE: If it is determined to be wood backed or a wood stud, Collars are optional. Collars are required for all drywall installations.

4. DRILL MOUNTING HOLES

For drywall only

Use the 5/8" Spade Bit to create mounting holes for the Toggle Bolts.

5. ASSEMBLE VINO PINS

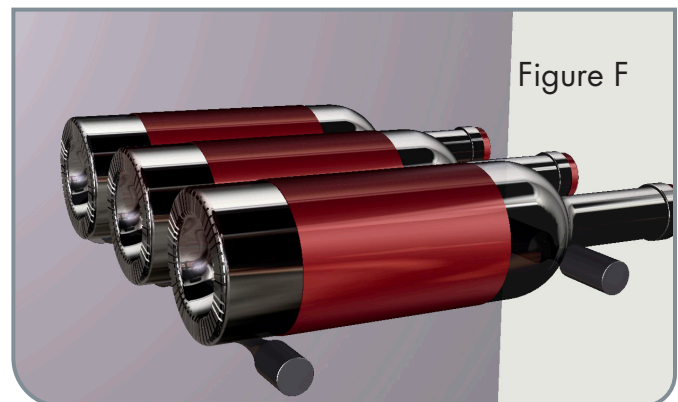
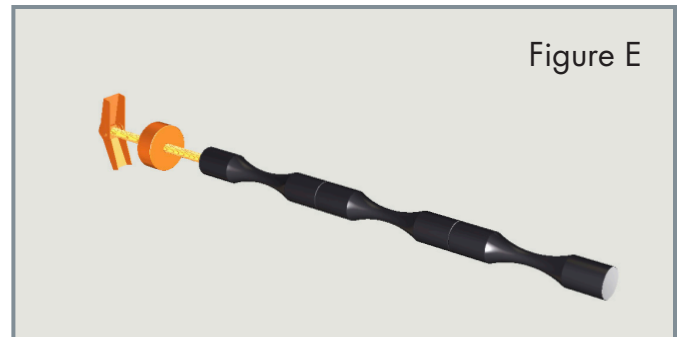
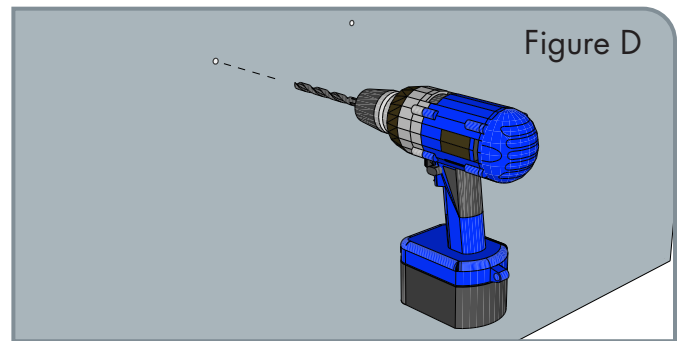
For drywall only

Thread one (1) Expanding Bolt onto one (1) Toggle Bolt followed by the Drywall Collar. The Expanding Bolt should face inward, toward the Collar (Figure E). Then thread the Vino Pins onto each Toggle Bolt.

6. INSTALL VINO PINS

For drywall only

Ensuring you are installing the Neck Pin into the higher of the two holes, push the Toggle Bolt through the mounting hole until the Expanding Bolt snaps open. Stabilize



the Bolt by lightly pulling toward the wall.

Important: If the Toggle Bolt does not fully expand, the Pins may come out of the wall.

While lightly pulling the Vino Pin with one hand, twist the rack clockwise until firmly hand tightened, taking care not to overtighten. Ensure the Pin remains in the desired position.

Repeat the previous steps to install the remaining Vino Pin.

7. ADD WINE

Only the good stuff.





w4. INSTALL PIN TO A WOOD STUD

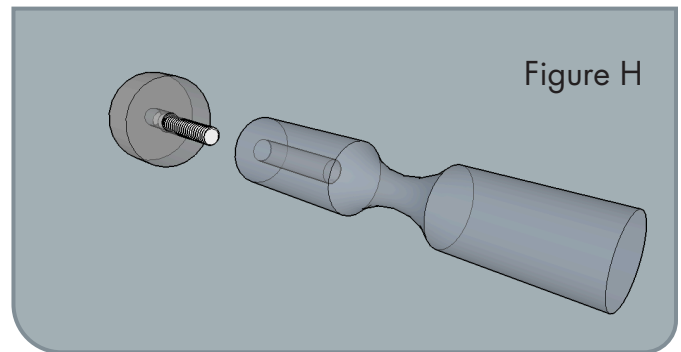
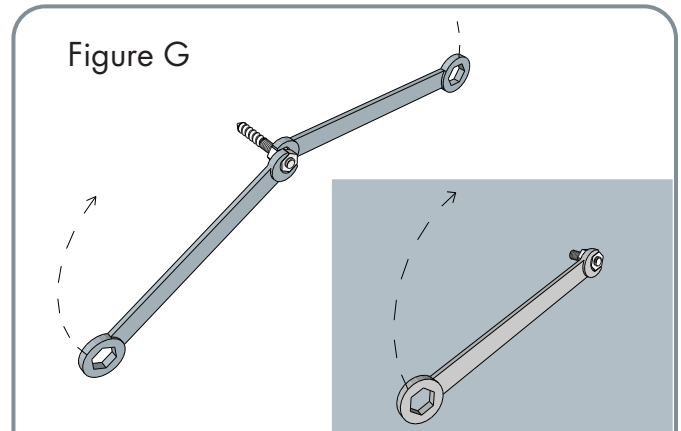
a. Using Hex Key or M6 Driver

Using either the provided hex key, drive the Lag Stud into the pilot holes until the coarse threads are no longer visible. When driving the Lag Stud, take care to ensure it remains level.

For larger projects or if a sturdier tool is needed, use an optional M6 Driver.

b. Using Nuts

Alternatively, attach two (2) provided nuts onto the fine threaded end of the Lag Stud. Using two 10mm wrenches, tighten the nuts against one another (Figure G), essentially creating a screw head. Then use one wrench on the outer nut and screw the wood lag into the pilot holes until the coarse threads are no longer visible.



w5. INSTALL VINO PIN

Slide collar over the stud, then thread Vino Pin onto the Stud (Figure H). Ensure you are installing either the Neck Pin into the higher of the two holes or the Base Pin into the lower of the two holes.

Firmly hand-tighten taking care not to over tighten. Confirm Pin is level and return to Step 5 to complete process for any Pins being installed into drywall.

Problems?

Try Vino Pins installation using BILT 3D intelligent instructions, visit www.vintageview.com or give us a call at 303-504-9463.

Additional Notes:

All installations into drywall require the use of collars and alternate fasteners to properly support the Vino Pins. Any application outside of these parameters is not warranted by VintageView and may result in product and/or installation failure, property damage and/or bodily injury.

Maintenance and Care:

Vino Pins should be regularly checked for tightness. Should any rack to be found to be loose, tighten by hand until secure. If the face of the wall surface shows signs of breakage, discontinue use immediately until the wall may be adequately repaired. Vino Pins may be cleaned with a damp cloth and mild dish soap -abrasive pads or steel wool should NOT be used as they will damage the finished surfaces of the parts.

SCAN FOR BILT 3D INSTRUCTIONS



POWERED BY BILT INTELLIGENT INSTRUCTIONS®

